



Solenoid valve 2/2 way N.C. With pilot control

21EN5KB180

PRESENTATION:

S.V. with pilot control for interception of fluids compatible with the construction materials.

A minimum operational pressure of 0,1 bar is required.

The materials used and the tests carried out ensure maximum reliability and duration.

USE: Automation
Heating

PIPES: 3/4 NPT

COILS:

| | |
|------------|-----------------|
| 8W - Ø 13 | |
| BDA - BSA | 155°C (class F) |
| BDV | 180°C (class H) |
| 12W - Ø 13 | |
| UDA | 155°C (class F) |
| 14W - Ø 13 | |
| GDH - GDV | 180°C (class H) |

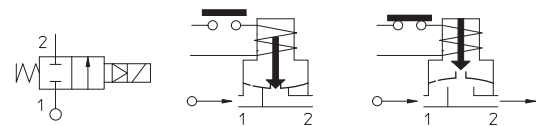


Max. allowable pressure (PS) 20 bar

Ambient temperature:

See coils catalogue page for its compatibility.

| Gaskets | Temperature | | Medium |
|---------------------------------|-------------|--------|--------------------------------------|
| | - 10°C | + 90°C | |
| B =NBR (nitrile rubber) | - 10°C | + 90°C | Air, inert gas, water |
| V =FKM (fluoroelastomer) | - 10°C | +140°C | Mineral oils (2°E), gasoline gas oil |



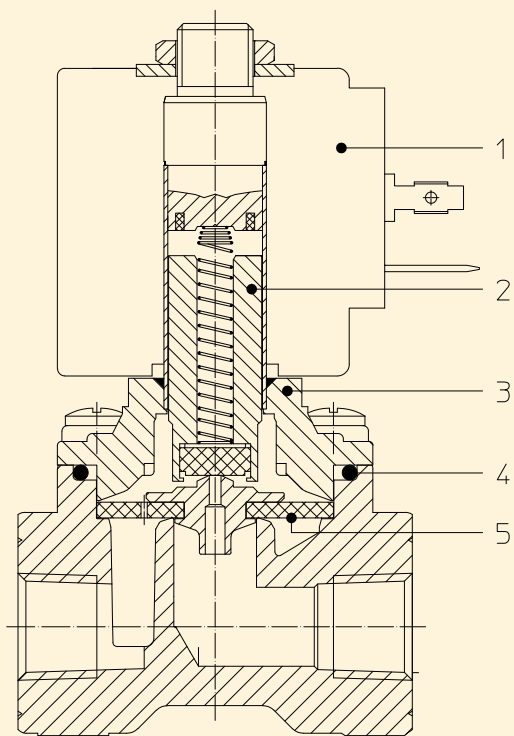
For seals other than NBR replace the letter "B" with the ones corresponding to the other seals. E.I. 21EN5K0V180.

| Pipe ANSI/ASME BI.20.1 | Code | Max viscosity | | Ø mm | Kv l/mn | Power watt | Pressure | | |
|------------------------------|------------|---------------|-----|---------|------------|---------------|------------|----------|--------|
| | | cSt | °E | | | | min bar | M.O.P.D. | |
| | | | | | | | | AC bar | DC bar |
| 3/4 NPT | 21EN5KB180 | 12 | ~ 2 | 18 | 50 | 8 | 0,1 | 16 | 3 |
| | | | | | | 12 | | 20 | 9 |
| | | | | | | 14 | | 16 | |

Note

Available on request and with minimum quantities.

The "ODE" reserves the right to carry out technical and aesthetic modifications without prior notification.



MATERIALS:

| | |
|--------------------------------|--------------------------------------|
| Body | Brass - UNI EN 12165 CW617N |
| Armature tube | Stainless steel AISI series 300 |
| Fixed core | Stainless steel AISI series 400 |
| Plunger | Stainless steel AISI series 400 |
| Phase displacement ring | Copper - Cu 99,9% |
| Spring | Stainless steel AISI series 300 |
| Seal | Standard: B=NBR On request: V=FKM |
| Orifice | Brass - UNI EN 12165 CW617N |

On request:

| | |
|-----------------------------|---------------|
| Connector | Pg 9 or Pg 11 |
| Connector conformity | ISO 4400 |

FEATURES:

| | |
|------------------------------|--|
| Electrical conformity | IEC 335 |
| Protection degree | IP 65 EN 60529 (DIN 40050) with coil fitted by connector. |

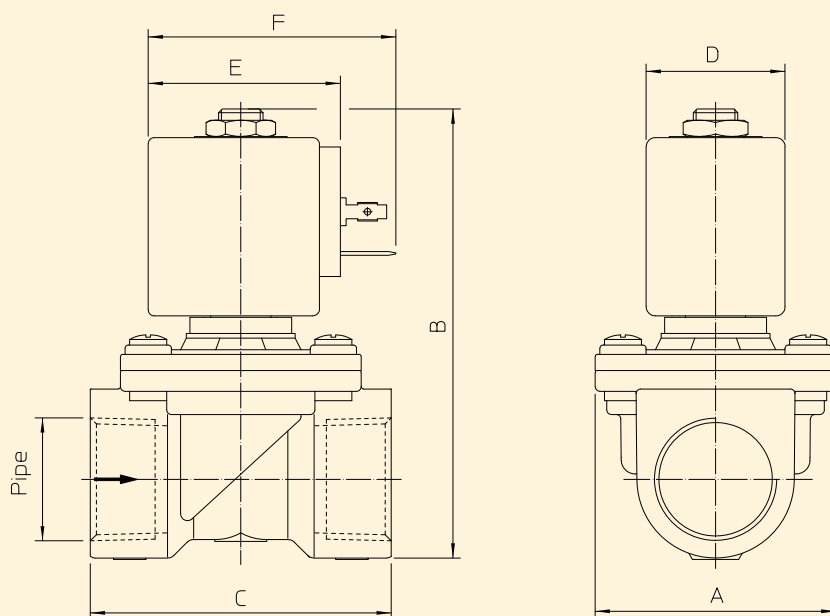
SPARE PARTS:

1. **Coil:**
See coils list
2. **Complete plunger:**
Code R451284/B
3. **Complete cover with armature tube without gasket:**
Code R452291
4. **Gasket O-Ring:**
Code R990105/B
5. **Complete diaphragm:**
Code R451220/B

MAINTENANCE KIT:

KTGEN2K0B10=2+4+5

DIMENSIONS:



| Type | Pipe | A mm | B mm | C mm |
|------------|---------|------|------|------|
| 21EN5KB180 | 3/4 NPT | 52 | 97 | 65 |

| COIL TYPE | POWER ABSORPTION | | | DIMENSIONS | | |
|-----------|------------------|--------------|----------------|------------|------|------|
| | W == | Hold VA ~ | Inrush VA ~ | D mm | E mm | F mm |
| B | 8 | 14,5 | 25 | 30 | 42 | 54 |
| U | 12 | 23 | 35 | 36 | 48 | 60 |
| G | 14 | 27 | 43 | 52 | 55 | 67 |