



Solenoid valve 2/2 way N.C. With pilot control

21WA3K0B130

÷

21WA4K0B130

PRESENTATION:

S.V. with pilot control for interception of fluids compatible with the construction materials.

A minimum operational pressure of 0,2 bar is required.

The materials used and the tests carried out ensure maximum reliability and duration.

USE: Automation
Heating

PIPES: G 3/8 - G 1/2

COILS: 8W - Ø 13
BDA - BSA 155°C (class F)
BDV 180°C (class H)

COIL HOUSING AND COIL FORMER MATERIAL ARE MADE BY 100% VIRGIN MATERIAL.

Max. allowable pressure (PS) 25 bar

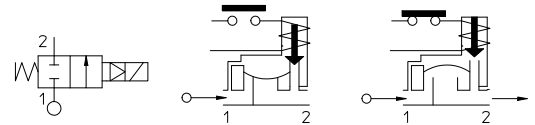
Ambient temperature:

See coils catalogue page for its compatibility.



Gaskets	Temperature		Medium
	- 10°C	+ 90°C	
B =NBR (nitrile rubber)	- 10°C	+ 90°C	Air, inert gas, water
E =EPDM (ethylene-propylene)	- 10°C	+140°C	Water, low pressure steam
V =FKM (fluoroelastomer)	- 10°C	+140°C	Mineral oils (2°E), gasoline gas oil

For seals other than NBR replace the letter "B" with the ones corresponding to the other seals. E.I. 21WA3K0V130.



Pipe ISO 228/1	Code	Max viscosity		Ø mm	Kv l/mn	Power watt	Pressure		
		cSt	°E				min	M.O.P.D.	
							bar	AC bar	DC bar
G 3/8	21WA3K0B130	12	~ 2	13	60	8	0,2	16	16
G 1/2	21WA4K0B130				70				

The "ODE" reserves the right to carry out technical and aesthetic modifications without prior notification.

MATERIALS:

Body	Brass - UNI EN 12165 CW617N
Armature tube	Stainless steel AISI series 300
Fixed core	Stainless steel AISI series 400
Plunger	Stainless steel AISI series 400
Phase displacement ring	Copper - Cu 99,9%
Spring	Stainless steel AISI series 300
Seal	Standard: B=NBR On request: V=FKM
Orifice	Brass - UNI EN 12165 CW617N

On request:

Connector	Pg 9 or Pg 11
Connector conformity	ISO 4400

FEATURES:

Electrical conformity	IEC 335
Protection degree	IP 65 EN 60529 (DIN 40050) with coil fitted by connector.

SPARE PARTS:

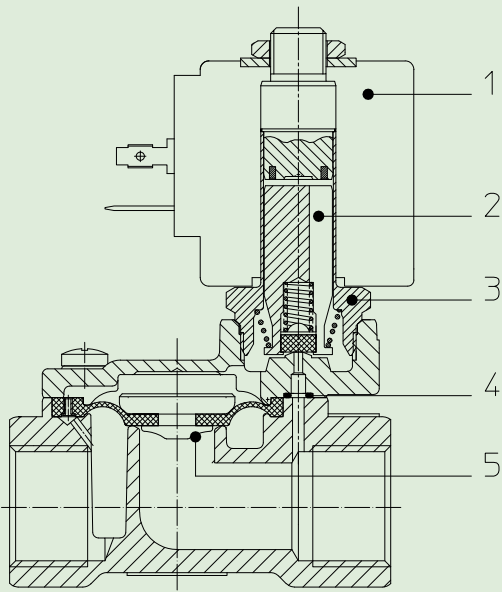
- Coil:**
See coils list
- Complete plunger:**
Code R450886/B
- Complete armature tube:**
Code R450606
- Gasket O-Ring:**
Code R990300/B
- Complete diaphragm:**
Code R452186/B

KIT:

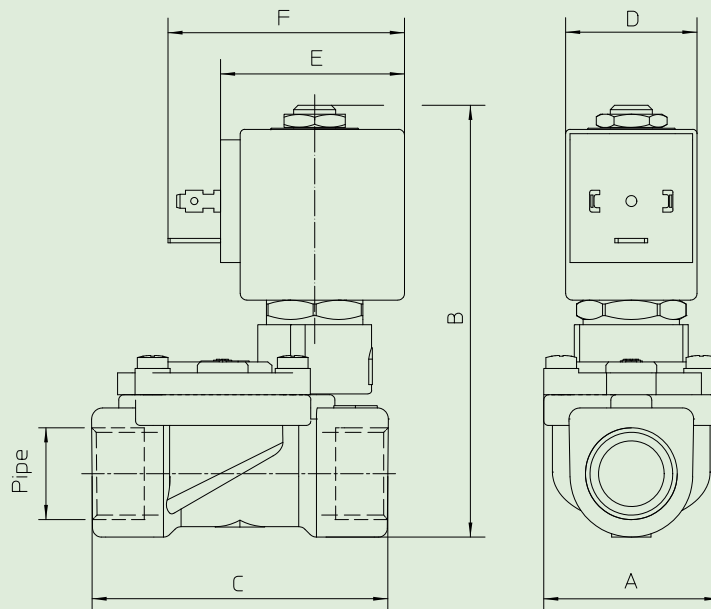
KT130KB30-A= 2+3

MAINTENANCE KIT:

KTGWA3K0B13= 2+4+5



DIMENSIONS:



Type	Pipe ISO 228/1	A mm	B mm	C mm
21WA3K0B130	G 3/8	40	97	60
21WA4K0B130	G 1/2			66

COIL TYPE	POWER ABSORPTION			DIMENSIONS		
	W =	Hold VA ~	Inrush VA ~	D mm	E mm	F mm
B	8	14,5	25	30	42	54