



Solenoid valve 2/2 way N.O. With pilot control - NSF Certified

21W3Z1E190-T5

÷

21W4Z1E250-T5

PRESENTATION:

S.V. with pilot control for interception of fluids compatible with the construction materials.

A minimum operational pressure of 0,2 bar is required.

The materials used and the tests carried out ensure maximum reliability and duration.

USE: Automation
Heating

PIPES: G 3/4 - G 1

COIL: 8W - Ø 13
BDA - BSA 155°C (class F)
BDV 180°C (class H)

**INCAPSULAMENTO E ROCCHETTO SONO REALIZZATI
CON MATERIALE VERGINE AL 100%.**

Max. allowable pressure (PS) 23 bar

Allowable temperature 82°C

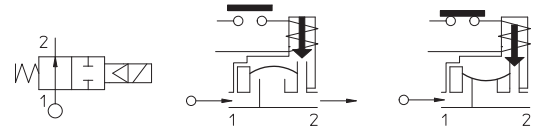
Ambient temperature:

See coils catalogue page for its compatibility.



Gaskets	Temperature		Medium
E =EPDM (ethylene-propylene)	- 10°C	+ 140°C	Water
V =FKM (fluoroelastomer)	- 10°C	+ 140°C	Mineral oils (2°E), gasoline gas oil

For seals other than EPDM replace the letter "E" with the ones corresponding to the other seals. E.I. 21W3ZIV190-T5.



Pipe ISO 228/1	Code	Max viscosity		Ø mm	Kv l/mn	Power watt	Pressure		
		cSt	°E				min bar	M.O.P.D. AC bar DC bar	
G 3/4	21W3Z1E190-T5	12	~ 2	19	140	8	0,2	16	16
G 1	21W4Z1E250-T5			25					



Certified to
NSF/ANSI 61-G

Note

Available on request and with minimum quantities.

The "ODE" reserves the right to carry out technical and aesthetic modifications without prior notification.

MATERIALS:

Body	Low Lead Brass
Armature tube	Stainless steel AISI series 300
Fixed core	Stainless steel AISI series 400
Plunger	Stainless steel AISI series 400
Phase displacement ring	Copper - Cu 99,9%
Spring	Stainless steel AISI series 300
Seal	Standard: E=EPDM On request: F=FKM
Orifice	Low Lead Brass

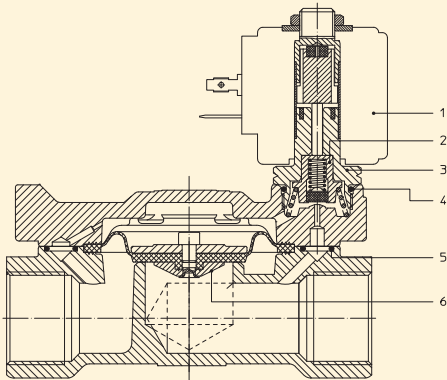
On request:	Pg 9 or Pg 11
Connector	ISO 4400
Connector conformity	

FEATURES:

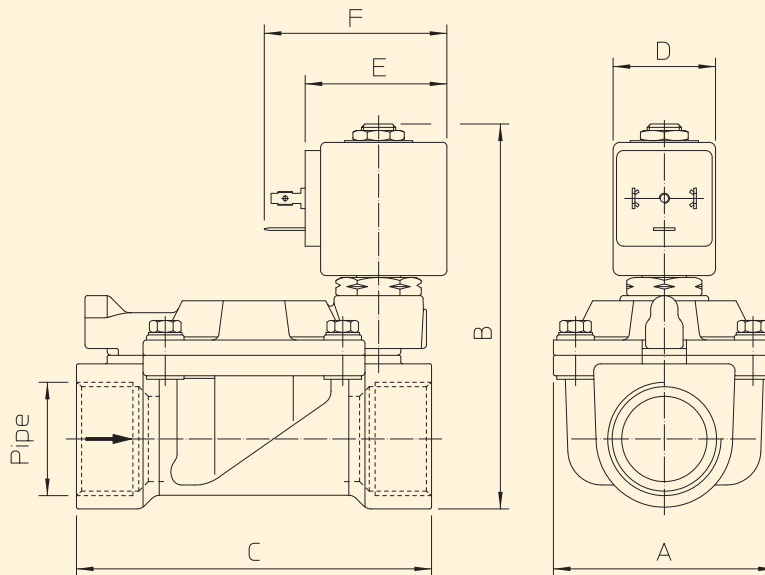
Electrical conformity	IEC 335
Protection degree	IP 65 EN 60529 (DIN 40050) with coil fitted by connector

SPARE PARTS:

- Coil:**
See coils list
- Complete diaphragm support:**
Code R450788/*EX1*
- Complete armature tube without gasket:**
Code R450573/D
- Gasket O-Ring:**
Code R990000/*EX1*
- Gasket O-Ring:**
Code R990002/*EX1*
- Complete diaphragm:**
Code R450431/*EX1/P*



DIMENSIONS:



Type	Pipe ISO 228/1	A mm	B mm	C mm
21W3Z1E190-T5	G 3/4	65	128	104
21W4Z1E250-T5	G 1		113	

COIL TYPE	POWER ABSORPTION			DIMENSIONS		
	W ---	Hold VA ~	Inrush VA ~	D mm	E mm	F mm
B	8	14,5	25	30	42	54