



**Total separation solenoid valve
2/2 way N.C. with flow regulation
Direct acting - NSF Certified**

**21D72KRS90-L
÷
21D72KRS90-R**

PRESENTATION:

Directing acting S.V. for automatic drink dispensers.
Minimum operational pressure is not required.
The material used and the tests carried out ensure maximum reliability and duration.

USE: Automatic drink dispensers

PIPES: Boiler stub connection Ø12 - Ø 11

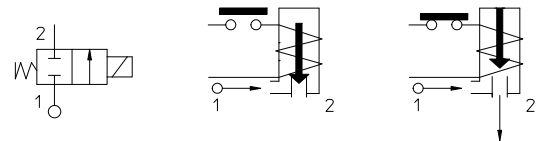
COILS:
8W - Ø 13
BDA - BSA 155°C (class F)
BDV 180°C (class H)

**COIL HOUSING AND COIL FORMER MATERIAL ARE
MADE BY 100% VIRGIN MATERIAL.**

Ambient temperature:
See coils catalogue page for its compatibility.



Gaskets	Temperature		Medium
	+ 2°C	+100°C	
S=VMQ (silicone)			Water



Pipe	Code	Max viscosity		Ø mm	Kv l/mn	Power watt	Pressure		
		cSt	°E				min bar	M.O.P.D.	
								AC bar	DC bar
Ø12	21D72KRS90-L	-	-	9	*	8	0	0,3	0,3
	21D72KRS90-M								
Ø11	21D72KRS90-R								

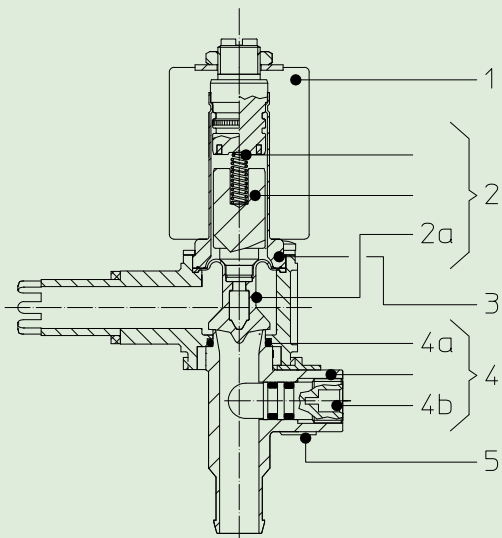
* FLOW RATE WITH HEAD OF 80 mm = 2,5 l/min.



The "ODE" reserves the right to carry out technical and aesthetic modifications without prior notification.

MATERIALS:

Body	PSU (Polysulphone)
Lower body	PSU (Polysulphone)
Lower body clamping device	PA (Polyammide)
Armature tube	Brass - UNI EN 12164 CW614N
Fixed core	Stainless steel AISI series 400
Plunger	Stainless steel AISI series 400
Phase displacement ring	Copper - Cu 99,9%
Spring	Stainless steel AISI series 300
Bellow membrane	Standard: S = VMQ On request W = MFQ



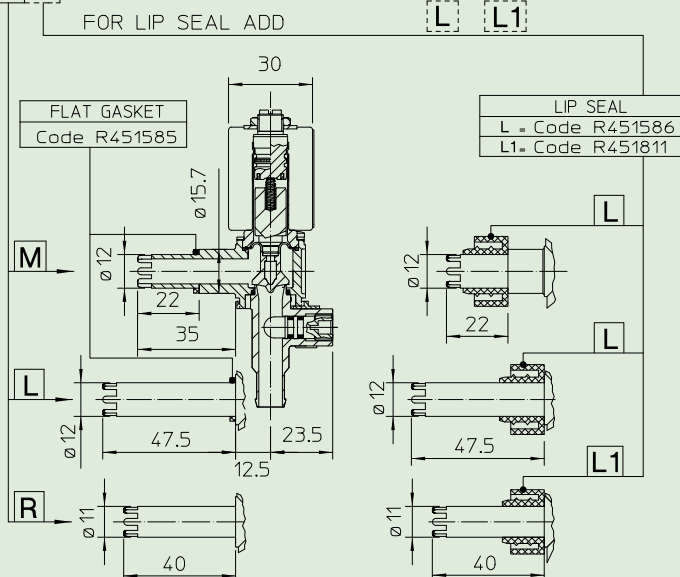
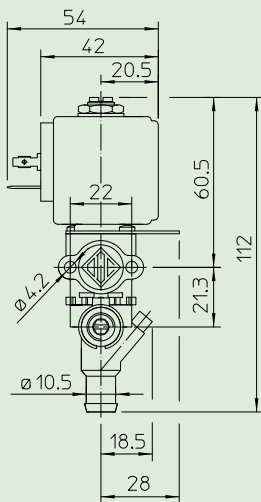
SPARE PARTS:

- | | |
|---|---|
| 1. Coil:
See coils list | 4a. Gasket O-Ring:
Code R990052/S |
| 2. Complete plunger:
Code R452491/S | 4b. Flow setting screw with O-Rings:
Code R452226 |
| 2a. Bellow membrane:
Code R452489/S | 5. Lower body clamping device:
Code R452259 |
| 3. Complete armature tube:
Code R452197 | |
| 4. Lower body assembly:
Code R452492 | KIT:
KR130KRS90-L3=2+3 |

DIMENSIONS:

SOLENOID VALVE CODING WITH ACCESSORIES

2 1 D 7 2 K R S 9 0 - M L



COIL TYPE	POTENZA		
	W ---	Hold VA ~	Inrush VA ~
B	8	14,5	25