



Solenoid valve 2/2 way N.C. Direct acting

21L1K1T25
÷
21L1K1T40

PRESENTATION:

Direct acting S.V. for interception of fluids compatible with the construction materials.

Minimum operational pressure is not required.

The materials used and the tests carried out ensure maximum reliability and duration.

USE Chemistry
Drinks

PIPES: G 1/8

COILS: 8W - Ø 13
BDA - BSA 155°C (class F)
BDV 180°C (class H)
12W - Ø 13
UDA 155°C (class F)
14W - Ø 13
GDH - GDV 180°C (class H)

**COIL HOUSING AND COIL FORMER MATERIAL ARE
MADE BY 100% VIRGIN MATERIAL.**

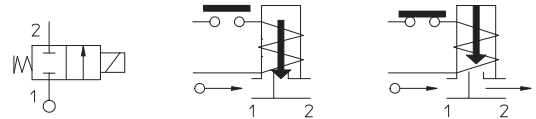
Max. allowable pressure (PS) 40 bar

Ambient temperature:

See coils catalogue page for its compatibility.

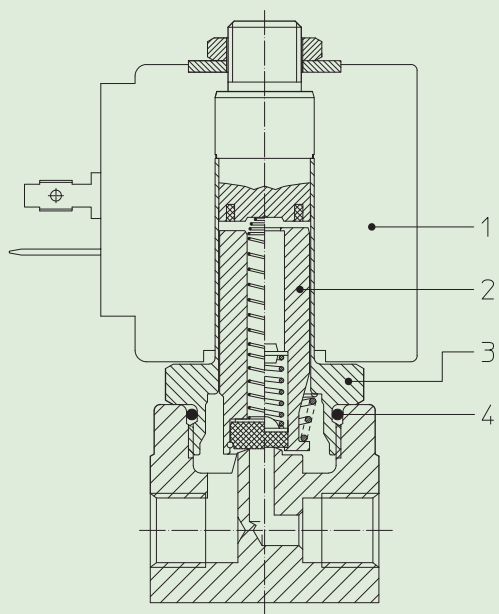


Gaskets	Temperature		Medium
T=PTFE (polytetrafluorethylen)	- 40°C	+ 180°C	DeminerIALIZED water, steam, syrups, chemical products compatible with stainless steel



Pipe ISO 228/1	Code	Max viscosity		Ø mm	Kv l/mn	Power watt	Pressure		
		cSt	°E				min bar	M.O.P.D. AC bar DC bar	
G 1/8	21L1K1T25	53	~ 7	2,5	3,2	8	0	14	9
						12		30	25
						14		10	6
	21L1K1T30			8	25	17			
				12	6	1,7			
				14	15	6			
	21L1K1T40			8	6	8			
				12					
				14					

The "ODE" reserves the right to carry out technical and aesthetic modifications without prior notification.



MATERIALS:

Body	Stainless steel AISI 316
Armature tube	Stainless steel AISI series 300
Fixed core	Stainless steel AISI series 400
Plunger	Stainless steel AISI series 400
Phase displacement ring	Gold plated copper
Spring	Stainless steel AISI series 300
Seal	T=PTFE
Orifice	Stainless steel AISI 316

On request:

Connector	Pg 9 or Pg 11
Connector conformity	ISO 4400

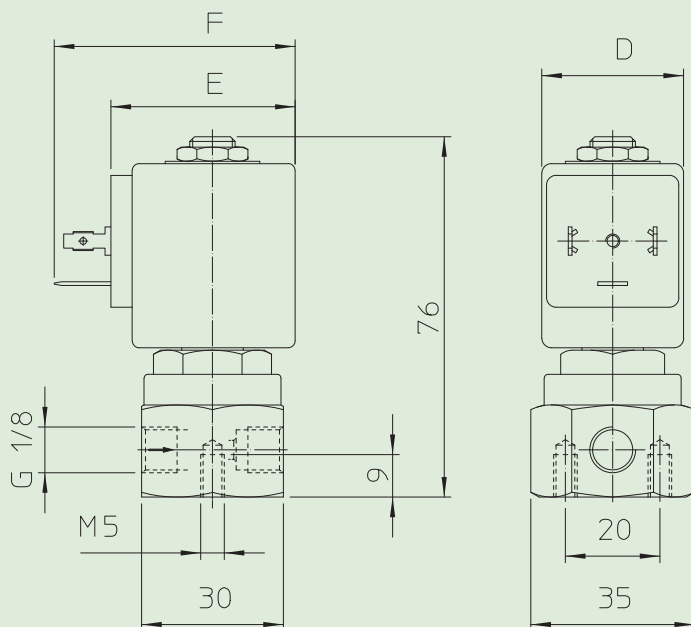
FEATURES

Electrical conformity	IEC 335
Protection degree	IP 65 EN 60529 (DIN 40050) with coil fitted by connector.

SPARE PARTS:

- | | | |
|--|---|--|
| 1. Coil: | See coils list | KIT: |
| 2. Complete plunger: | For orifice ≤ 3 mm
Code R450886/T | Orifice ≤ 3 mm
KT130K730-H=2+3+4 |
| | For orifice > 3 mm
Code R451234/T | Orifice > 3 mm
KT130K755-H=2+3+4 |
| 3. Complete armature tube without gasket: | Code R450811 | |
| 4. Gasket O-Ring: | Code R990000/T | |

DIMENSIONS:



COIL TYPE	POWER ABSORPTION			DIMENSIONS		
	W ==	Hold VA ~	Inrush VA ~	D mm	E mm	F mm
B	8	14,5	25	30	42	54
U	12	23	35	36	48	60
G	14	27	43	52	55	67