



Solenoid valve 3/2 way N.C. - Universal Direct acting - Latching coils

31A3FB15-U
Latching coils

PRESENTATION:

Direct acting S.V. for interception of fluids compatible with the construction materials.
Opening is obtained by a ~ 20 msec pulse, and closing by another ~ 20 msec pulse, with reversed polarity.
Minimum operational pressure is not required.
The materials used and the tests undertaken ensure maximum reliability and duration.

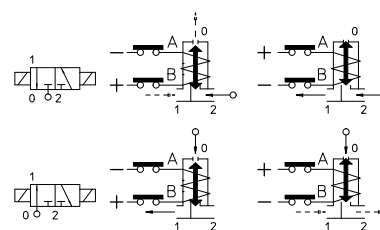
USE: Automation
Heating

PIPES: G 1/8

COILS: BDA05006LS 155°C (class F)
BDA05009LS 155°C (class F)
BDA05012LS 155°C (class F)
BDA05024LS 155°C (class F)

MOULDING AND BOBBIN ARE MADE BY 100% VIRGIN MATERIAL.

Max. allowable pressure (PS) 40 bar
Ambient temperature: - 10°C + 60°C



Gaskets	Temperature		Medium
B=NBR (nitrile rubber)	- 10°C	+ 90°C	Air, inert gas, water

Pipe ISO 228/1	Code	Coils code	Voltages VDC	Max viscosity		Ø mm	Kv l/mn	Power (watt)	Pressure		
				cSt	° E				min bar	M.O.P.D.	
										DC bar	
		N.C.	N.O								
G 1/8	31A3FB15-U	BDA05006LS	6	12	~ 2	1,5*	1,4	5	0	6	8
		BDA05009LS	9								
		BDA05012LS	12								
		BDA05024LS	24								

Note

* 3rd way exhaust= Ø 1,5 mm
Also available with brass body without lead.

The "ODE" reserves the right to carry out technical and aesthetic modifications without prior notification.

MATERIALS

Body	Brass - UNI EN 12165 CW617N
Armature tube	Stainless steel AISI series 300
Fixed core	Stainless steel AISI series 400
Plunger	Stainless steel AISI series 400
Phase displacement ring	Copper - Cu 99,9%
Spring	Stainless steel AISI series 300
Seal	B=NBR
Orifice: Insert slot	Stainless steel AISI series 300

On request:

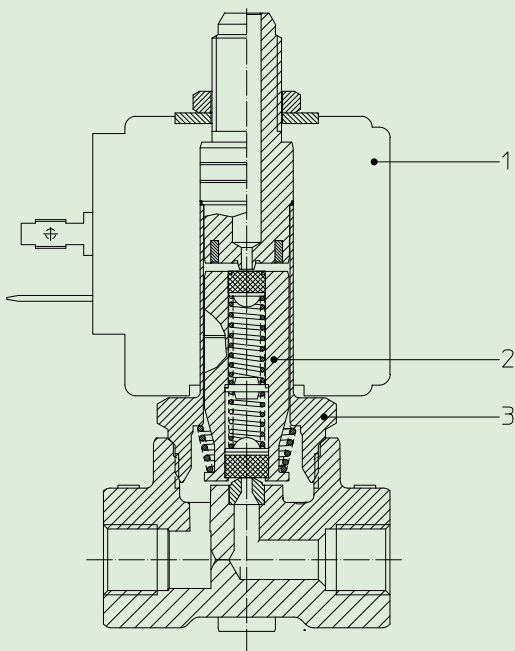
Connector	Pg 9 or Pg 11
Connector conformity	ISO 4400

FEATURES:

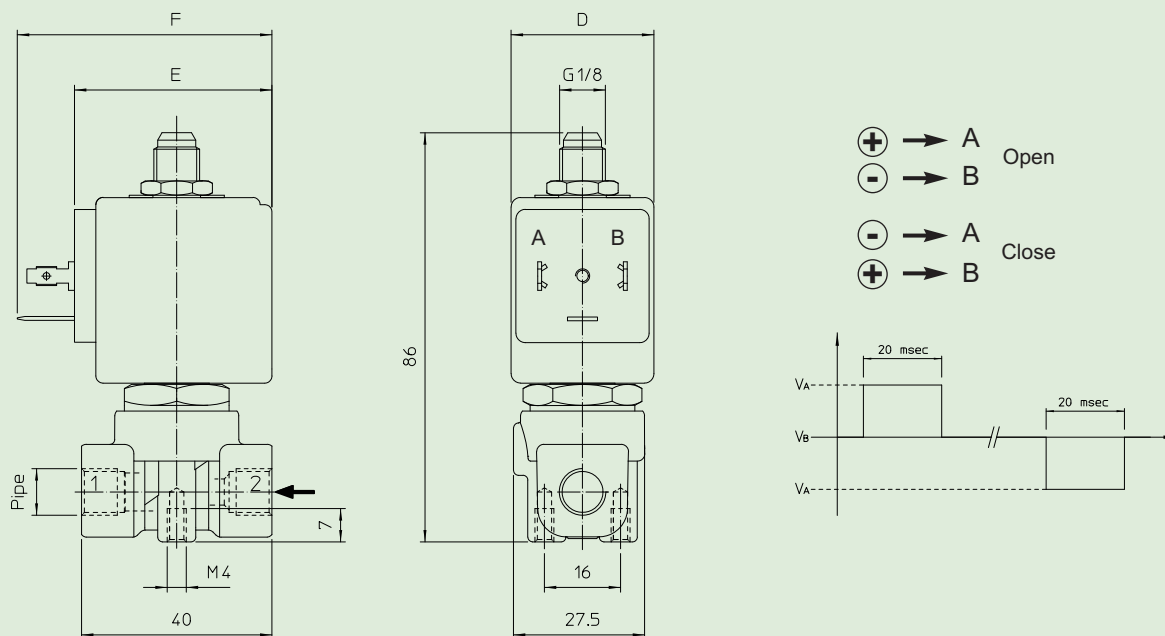
Electrical conformity	IEC 335
Protection degree	IP 65 EN 60529 (DIN 40050) with coil fitted by connector.

SPARE PARTS:

- Coil:**
BDA05006LS
BDA05009LS
BDA05012LS
BDA05024LS
- Complete plunger:**
Code R450689/B
- Complete armature tube:**
Code R450664



DIMENSIONS:



COIL TYPE	POWER ABSORPTION			DIMENSIONS		
	W ---	Hold VA ~	Inrush VA ~	D mm	E mm	F mm
L	5	10	15	22	27,5	39,5