



Solenoid valve 2/2 way N.C. Direct acting

21JN1R0V15-RP

PRESENTATION:

Direct acting S.V. for interception of fluids compatible with the construction materials.

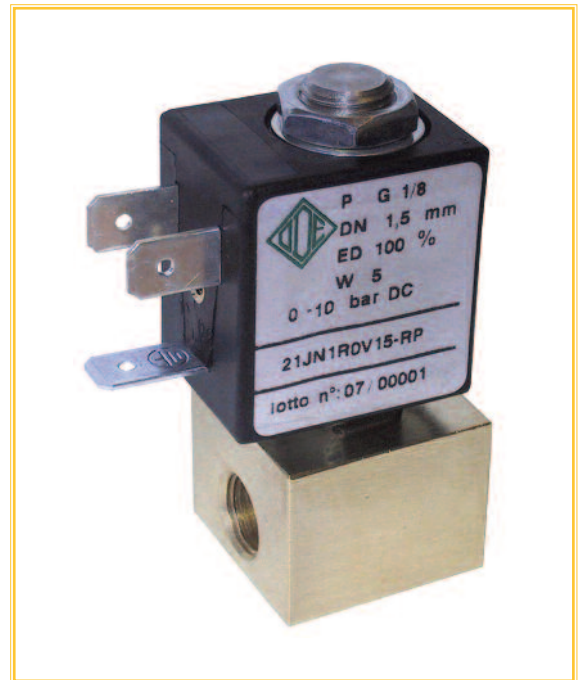
Minimum operational pressure is not required.

The materials used and the tests carried out ensure maximum reliability and duration.

USE: Automation
Heating

PIPES: G 1/8

COIL: 5W - Ø 10
LBA 155°C (class F)
LBF - LBV 180°C (class H)
8W ED 50% - Ø 10
LBA08024HS 155°C (class F)

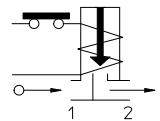
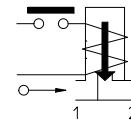
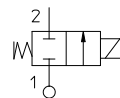


Max. allowable pressure (PS) 40 bar

Ambient temperature:

See coils catalogue page for its compatibility.

Gaskets	Temperature		Medium
	- 10°C	+ 140°C	
V=FKM (fluoroelastomer)			Mineral oils (2°E), gasoline gas oil, fuel oils (7°E)



Pipe ISO 228/1	Code	Max viscosity		Ø mm	Kv l/mn	Power watt	Pressure		
		cSt	°E				min bar	M.O.P.D.	
								AC bar	DC bar
G 1/8	21JN1R0V15-RP	12	~ 2	1,5	1,1	5	0	25	10
						8 * ED 50%		-	18
	21JN1R0V20-RP	37	~ 5	2	2	5		22	8
						8 * ED 50%		-	8

Note

* Standard cycle time - 1 minute.

Available on request and with minimum quantities.

The "ODE" reserves the right to carry out technical and aesthetic modifications without prior notification.

MATERIALS:

Body	Brass - UNI EN 12164 CW614N
Armature tube	Stainless steel AISI series 300
Fixed core	Stainless steel AISI series 400
Plunger	Stainless steel AISI series 400
Phase displacement ring	Copper - Cu 99,9%
Spring	Stainless steel AISI series 300
Seal	V=FKM
Orifice: Insert slot	Stainless steel AISI series 300

On request:

Connector	Pg 9 or Pg 11
Connector conformity	ISO 4400

FEATURES:

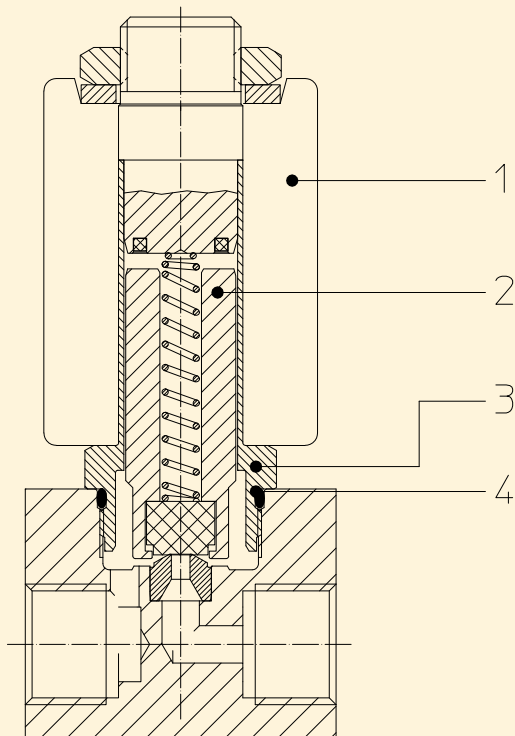
Electrical conformity	IEC 335
Protection degree	IP 65 EN 60529 (DIN 40050) with coil fitted by connector.

SPARE PARTS:

- 1. Coil:**
See coils list
- 2. Complete plunger:**
Code R451101/V
- 3. Complete armature tube :**
Code R452062
- 4. Gasket O-Ring:**
Code R990597/V

KIT:

KT100R0V25-FJ=2+3+4



DIMENSIONS:

